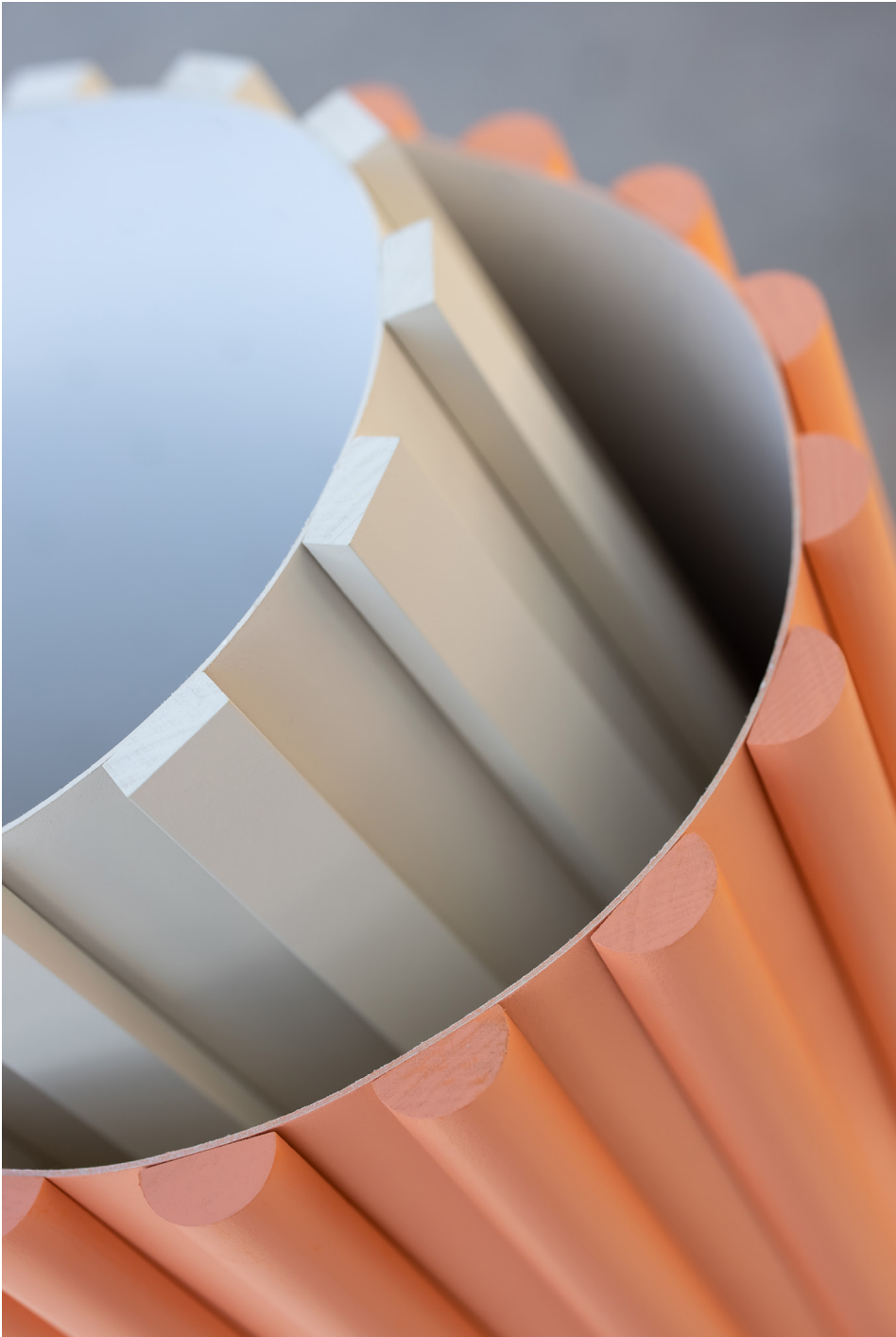


**modobo**



**CHROMAFLEX**

PANELS

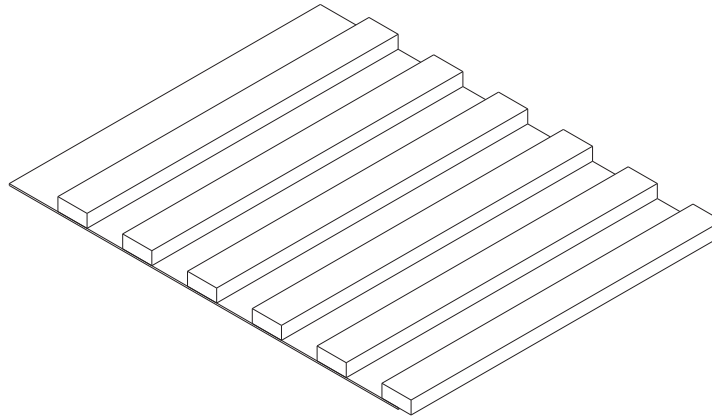


*Chromaflex™ provides the opportunity to let your colors show. With a flexible core and paintable face, Chromaflex™ can be applied flat or bend to tight exterior and interior radii. The paintable face can be painted to match any Benjamin Moore, Sherwin Williams, or Pantone color. Chromaflex™ is sold in painted, ready to install panels to make the process from specification to installation a breeze. Take the stress out of complicated curved walls and utilize Chromaflex™.*

# PROFILES

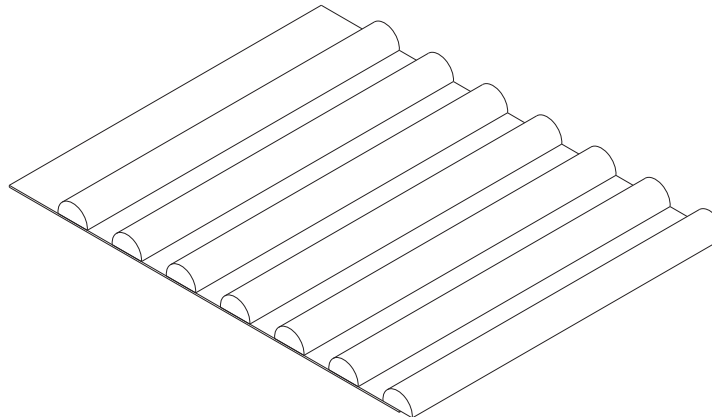
## FLAT

1.125" wide solid wood tambours  
1.375" gap between tambours  
0.625" overall thickness  
Available in 3', 4', and 8' lengths  
15" wide coverage per panel  
6 tambours per panel  
Minimum 6" interior radius  
Minimum 6" exterior radius



## REED

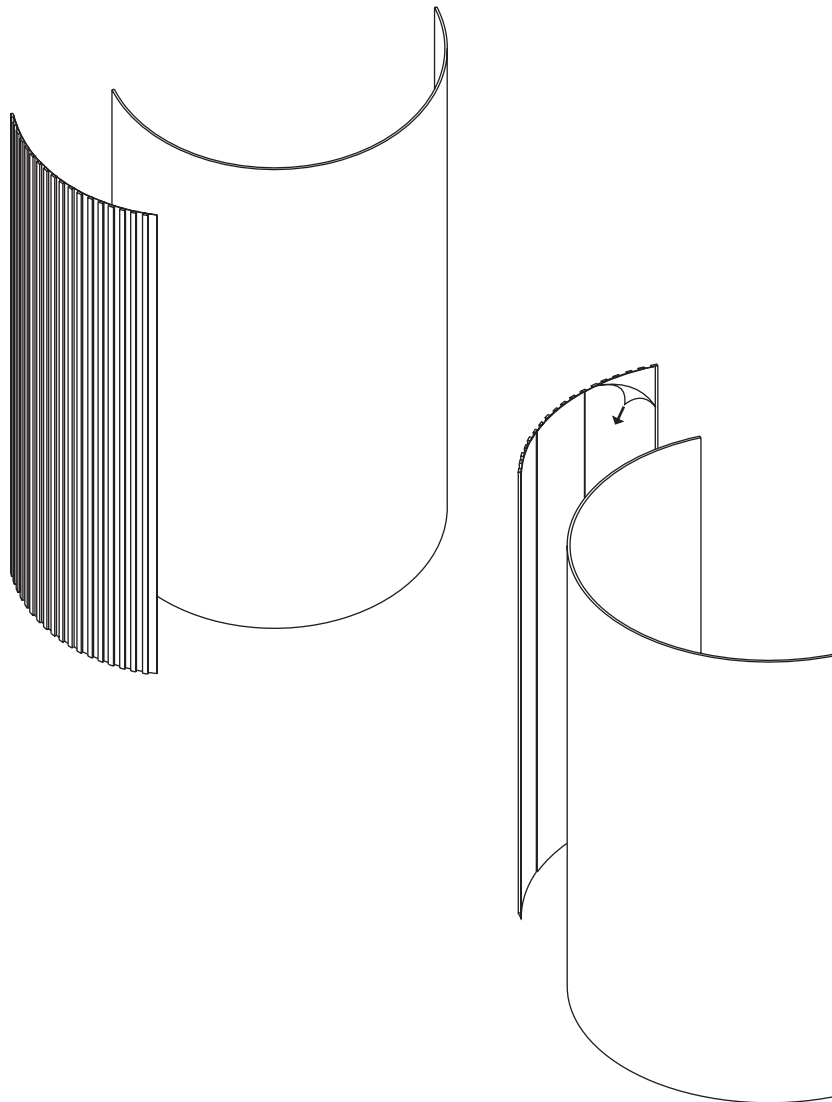
1.25" wide solid wood tambours  
0.875" gap between tambours  
0.75" overall thickness  
Available in 3', 4', and 8' lengths  
15" wide coverage per panel  
7 tambours per panel  
Minimum 8" interior radius  
Minimum 6" exterior radius



**Benjamin Moore®**

*Available in any color by Benjamin Moore.*

# INSTALLATION



Always make sure the installation surface is clean, even and free of debris. It is best practice to test fit each *Chromaflex* panel on the wall before peeling off the adhesive's protective film from the back. Panels can be installed from left to right or right to left. Regardless of desired installation direction, the exposed tongue on the *Chromaflex* panel must be the leading edge which gets overlapped .5" by the following panel.

When ready to install the first panel, peel off the protective film and wrap the panel onto the wall in a wake-like motion, installing the tambour-covered edge of the panel first. Be sure to apply even pressure to entire panel to ensure the panel adheres to the installation surface.

Once adhered, it is recommended that mechanical fasteners are applied vertically along the tongue edge within .5" of the edge so that fasteners are concealed by the following panel. On the opposite side of the panel, apply fasteners vertically along the side of the face tambour. Use additional fasteners if needed.

Install remaining panels following the previous process with each panel overlapping the following. Cover all fasteners with color matched *Chroma Dots*.



# ***SPECIFICATIONS***

## ***FLAT***

LENGTH	WIDTH/PANEL	RADIUS	EST. SQ FT
3'	15.5"	6"	3.75
4'	15.5"	6"	5
8'	15.5"	6"	10

## ***REED***

LENGTH	WIDTH/PANEL	RADIUS	EST. SQ FT
3'	15.5"	6"	3.75
4'	15.5"	6"	5
8'	15.5"	6"	10

Please contact [lauren@modobodesign.com](mailto:lauren@modobodesign.com)  
for pricing and additional information.